



# Griddle

## Instruction manual



- (NL) **Tafelgrill**  
Handleiding
- (FR) **Plaque de cuisson**  
Mode d'emploi
- (DE) **Bratplatte**  
Bedienungsanleitung

- (IT) **Piastra elettrica**  
Manuale di istruzioni
- (ES) **Plancha**  
Manual de instrucciones
- (PT) **Grelha de balcão**  
Manual de instruções

**Model • Modèle • Modell • Modello • Modelo • Malli:**

**DB193/DB167**

## Safety Tips

- Position on a flat, stable surface.
- A service agent/qualified technician should carry out installation and any repairs if required. Do not remove any components on this product.
- Consult Local and National Standards to comply with the following:
  - Health and Safety at Work Legislation
  - BS EN Codes of Practice
  - Fire Precautions
  - IEE Wiring Regulations
  - Building Regulations
- DO NOT immerse the appliance in water.
- Some surfaces become hot during operation - take care when using the appliance.
- Always switch off and disconnect the power supply to the appliance when not in use.
- Not suitable for outdoor use.
- This appliance must only be used in accordance with these instructions and by persons competent to do so.
- This appliance is not suitable for use by children.
- Keep all packaging away from children. Dispose of the packaging in accordance to the regulations of local authorities.
- If the power cord is damaged, it must be replaced by a BUFFALO agent or a recommended qualified technician in order to avoid a hazard.

## Product Description

- **DB193** - Counter Top Electric Griddle (Steel plate. Cooking Area: 500mm x 310mm)
- **DB167** - Counter Top Electric Griddle (Steel plate. Cooking Area: 735mm x 330mm)

## Introduction

Please take a few moments to carefully read through this manual. Correct maintenance and operation of this machine will provide the best possible performance from your BUFFALO product.

## Pack Contents

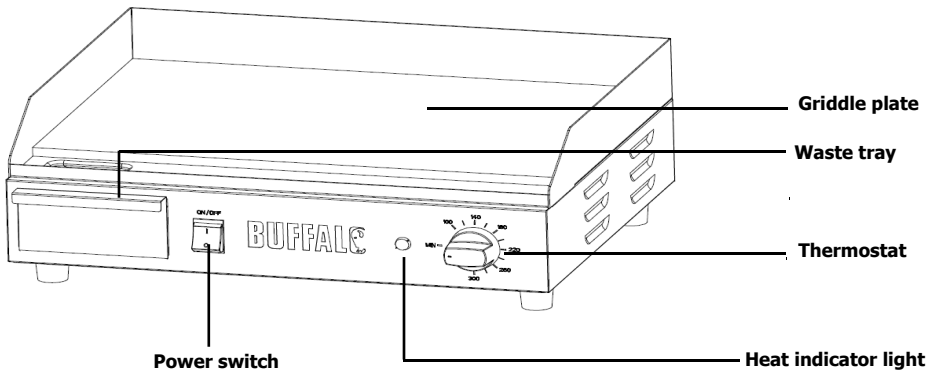
The following is included:

- BUFFALO Griddle
- Waste Tray
- Instruction Manual

BUFFALO prides itself on quality and service, ensuring that at the time of packaging the contents are supplied fully functional and free of damage.

Should you find any damage as a result of transit, please contact your BUFFALO dealer immediately.

# Operation



**Model featured:DB193**

## Seasoning the Griddle Plate

Before using for the first time the cooking surface needs to be seasoned.

1. Ensure the cooking surface is clean.
2. Brush the surface with cooking oil.
3. Set the thermostat to 110°C and turn the appliance On. The power indicator light turns on.
4. Once the appliance reaches temperature the power indicator light turns off.
5. Turn the appliance Off and allow to cool before wiping away any excess oil.
6. The appliance is now ready to use.

## Cooking

1. Connect the appliance to the mains power supply.
2. Set the thermostat to the desired temperature (60°C-300°C). The power indicator light comes on and the appliance begins to heat up.



**Note: 200°C to 220°C is suitable for general cooking.**

3. The power indicator light turns off when the appliance has reached the set temperature.



**Note: BUFFALO recommend the cooking surface is lightly oiled before cooking.**

4. Place the foodstuffs on the griddle plate and cook as required.

## Cleaning, Care & Maintenance

If grease is permitted to accumulate, it will begin to carbonise into a hard substance that is extremely difficult to remove. To prevent this follow the cleaning steps below:


- Always turn Off the appliance and disconnect from the power supply before cleaning.
- Allow the appliance to cool before cleaning.
- Use warm, soapy water and a damp cloth to clean the exterior of the appliance.
- Take care when using scrapers to remove cooking residues as they can damage the cooking surface.
- Dry thoroughly after cleaning.
- A BUFFALO dealer or qualified technician should carry out repairs if required.

### Scraping

After each use, scrape the appliance with a scraper/grill stone/copper brush or flexible spatula to remove excess fat and food. A waste tray is provided for the scrapings if necessary.

If there is an accumulation of burned fat or food, the cooking surface should be thoroughly scoured and re-seasoned. .


 **NOTE: IT IS VITAL THAT THE COOKING SURFACE IS RE-SEASONED AFTER SCOURING.**

 **WARNING: DO NOT USE STEEL WOOL AS IT MAY LEAVE SHARDS THAT COULD CONTAMINATE FOOD.**

### Waste Tray

These appliances feature a waste tray to collect any liquid or fats that run off during cooking.

At least once a day, remove and empty the waste tray before washing with warm soapy water. Do not allow the tray to overfill or excess grease will run out of the overflow hole at the front of the tray.

 **WARNING: DO NOT remove the tray during or immediately after use as the contents will be hot.**

 **Note: The waste tray for the DB193/DB167 slots inside the appliance.**



## Troubleshooting

If your BUFFALO appliance develops a fault, please check the following table before making a call to the Helpline.

Fault	Probable Cause	Action
The appliance is not working	The appliance is not switched on	Check the appliance is plugged in correctly and switched on
	Plug and lead are damaged	Call BUFFALO agent or qualified technician
	Fuse in the plug has blown	Replace the plug fuse
	Power supply	Check power supply
	Internal wiring fault	Call BUFFALO agent or qualified technician
Appliance does not reach set temperature	Faulty thermostat	Call BUFFALO agent or qualified technician
	Faulty element	Call BUFFALO agent or qualified technician
Appliance heats up but indicator light does not come on	Bulb has expired	Call BUFFALO agent or qualified technician
Power indicator light comes on but appliance does not heat up	Faulty element	Call BUFFALO agent or qualified technician
	Faulty thermostat	Call BUFFALO agent or qualified technician
	Thermostat set incorrectly	Check thermostat
Appliance slow to heat up	Cooking surface not clean	Clean cooking surface
	Faulty element	Call BUFFALO agent or qualified technician
Surface flaking	Build up of carbonised food debris	Refer to Cleaning, Care and Maintenance section
No power	Thermal cut-out switch has activated (DB193)	Press re-set switch on rear of unit (DB193)

## Technical Specifications

Model	Voltage	Power	Current	Cooking Surface Dimensions w x d (mm)	Dimensions h x w x d (mm)	Weight (kg)
<b>DB193</b>	230V 50Hz	2200W	9.6A	500 x 310	200 x 525 x 460	23.5
<b>DB167</b>	230V 50Hz	2900W	12.6A	735 x 330	200 x 745 x 460	33.8

## Electrical Wiring

This appliance is supplied with a 3 pin, moulded, BS1363 plug and lead, with a 13 amp fuse as standard.

The plug is to be connected to a suitable mains socket.

This appliance is wired as follows:

- Live wire (coloured brown) to terminal marked L
- Neutral wire (coloured blue) to terminal marked N
- Earth wire (coloured green/yellow) to terminal marked E

This appliance must be earthed.

If in doubt consult a qualified electrician.

Electrical isolation points must be kept clear of any obstructions. In the event of any emergency disconnection being required they must be readily accessible.

## Compliance

The WEEE logo on this product or its documentation indicates that the product must not be disposed of as household waste. To help prevent possible harm to human health and/or the environment, the product must be disposed of in an approved and environmentally safe recycling process. For further information on how to dispose of this product correctly, contact the product supplier, or the local authority responsible for waste disposal in your area.



BUFFALO parts have undergone strict product testing in order to comply with regulatory standards and specifications set by international, independent, and federal authorities.



BUFFALO products have been approved to carry the following symbol:

All rights reserved. No part of these instructions may be produced or transmitted in any form or by any means, electronic, mechanical, photocopying, recording or otherwise, without the prior written permission of BUFFALO.

Every effort is made to ensure all details are correct at the time of going to press, however, BUFFALO reserve the right to change specifications without notice.



<b>UK</b>	<b>0845 146 2887</b>
<b>NL</b>	<b>0800-29129</b>
	<b>040 - 2628080</b>
<b>FR</b>	<b>0800- 29 2 29</b>
	<b>0160 34 28 80</b>
<b>DE</b>	<b>0800 - 1860806</b>
<b>IT</b>	N/A
<b>ES</b>	<b>901-100133</b>
<b>PT</b>	<b>vendas@nisbets.pt</b>

# DECLARATION OF CONFORMITY

• Conformiteitsverklaring • Déclaration de conformité • Konformitätserklärung • Dichiarazione di conformità •  
• Declaración de conformidad • Declaração de conformidade

**Equipment Type** • Uitrustingstype • Type d'équipement •  
Gerätetyp • Tipo di apparecchiatura • Tipo de equipo • Tipo de  
equipamento

Counter Top Electric Griddle – 735 x 330  
Counter Top Electric Griddle – 500 x 310

**Model** • Modèle • Modell • Modello • Modelo • Malli

DB167  
DB193

**Application of Council Directives(s)**

Toepassing van Europese Richtlijn(en) • Application de la/des  
directive(s) du Conseil • Anwendbare EU-Richtlinie(n) •  
Applicazione delle Direttive • Aplicación de la(s) directiva(s) del  
consejo • Aplicação de directiva(s) do Conselho

**Low Voltage Directive (LVD) 2014/35/EC**

EN 60335-1:2012 +A11:2014 +A13:2017 +A1:2019  
+A2:2019  
EN 60335-2-38:2003 +A1:2008  
EN 62233:2008

**Electro-Magnetic Compatibility (EMC) Directive  
2014/30/EU**

EN 55014-1:2017  
EN 55014-2:2015  
EN 61000-3-2:2014  
EN 61000-3-3:2013

**Restriction of Hazardous Substances Directive  
(RoHS) 2015/863 amending Annex II to Directive  
2011/65/EU**

**Producer Name** • Naam fabrikant • Nom du producteur • Name  
des Herstellers • Nome del produttore • Nombre del fabricante •  
Nome do fabricante

Buffalo

**Producer Address** • Adres fabrikant • Adresse du producteur •  
Anschrift des Herstellers • Indirizzo del produttore • Dirección  
del fabricante • Morada do fabricante

Fourth Way,  
Avonmouth,  
Bristol,  
BS11 8TB  
United Kingdom

42 North Point Business  
Park  
New Mallow Road  
Cork  
Ireland

I, the undersigned, hereby declare that the equipment specified above conforms to the above Directive(s) and Standard(s).  
Ik, de ondergetekende, verklaar hierbij dat de hierboven gespecificeerde uitrusting goedgekeurd is volgens de bovenstaande  
Richtlijn(en) en Standaard(en).

Je soussigné, confirme la conformité de l'équipement cité dans la présente à la / aux Directive(s) et Norme(s) ci-dessus

Ich, der/die Unterzeichnende, erkläre hiermit, dass das oben angegebene Gerät der/den oben angeführten Richtlinie(n) und Norm(en)  
entspricht.

Il sottoscritto dichiara che l'apparecchiatura di sopra specificata è conforme alle Direttive e agli Standard sopra riportati.

El abajo firmante declara por la presente que el equipo arriba especificado está en conformidad con la(s) directiva(s) y estándar(es)  
arriba mencionadas.

Eu, o abaixo-assinado, declaro que o equipamento anteriormente especificado está em conformidade com a(s) anterior(es) Directiva(s)  
e Norma(s)

**Date** • Data • Date • Datum • Data • Fecha • Data

25<sup>th</sup> October 2019

**Signature** • Handtekening • Signature • Unterschrift  
Firma • Firma • Assinatura

  
Ashley Hooper

**Full Name** • Volledige naam • Nom et prénom • Vollständiger Name •  
Nome completo • Nombre completo • Nome por extenso

Technical & Quality Manager

**Position** • Functie • Fonction • Position • Qualifica • Posición • Função



<http://www.buffalo-appliances.com/> 

DB193\_DB167\_ML\_A5\_V1\_20191106